

USER MANUAL



TABLE OF CONTENTS

- 1. SAFETY INSTRUCTIONS 3
- 2. INTRODUCTION 3
 - 2.1 Grvfest-20 Integrated Gravel Bar 3
- 3. INSTALLATION 6
 - 3.1 Tools Needed for Installation 6
 - 3.2 One-Piece Bar Stem Installation Instructions 6
 - 3.3 Bike Computer Mount Installation 7
- 4. Mechanical & Electric Routing 8
 - 4.1 External Cable Routing 8
 - 4.2 Internal Cable Routing 9
 - 4.3 Shimano Di2 (EW-RS910) 9
- 5. WARRANTY 10
 - 5.1 Warranty & Crash Replacement Policy 10
 - 5.2 Submit a warranty claim 10

CONGRATULATIONS ON THE PURCHASE OF YOUR NEW LIGHT BICYCLE CARBON HANDLEBARS!

This user guide includes everything you need to know about installing your handlebars. Rider stories on the handlebars are much welcomed, and we offer a \$50 reward for each story. Feel free to contact us (sales@lightbicycle.com) if you have any questions or would like to write a rider story.



1. SAFETY INSTRUCTIONS

Improper installation, usage, and service can cause damage to your components and pose a hazardous condition for the rider. To ensure proper installation and a safe riding experience, please read and follow these instructions. If in doubt, please consult a professional bike mechanic, contact us at sales@lightbicycle.com, or leave a comment on any product page of our website.

A. Do not attempt to assemble or maintain the bike without the special tools and knowledge required.

B. Make sure your frameset and handlebar are compatible and suitable for your riding style.

C. Do not overheat your handlebars. Be mindful of how close your bar gets to the exhaust on your vehicle, especially during transport. The high temperature can damage the composite structure and void your warranty.

D. After a big impact or crash, there may be some unnoticeable cracks, delaminations, or dents. Please inspect the bicycle and all of the parts to make sure there is no damage.

E. Always ride with a safe distance between you and other objects, especially in wet or low-light conditions.

F. We suggest applying a thin layer of lubricant onto all the bolts used in the handlebar assembly for easy maintenance.

2. INTRODUCTION

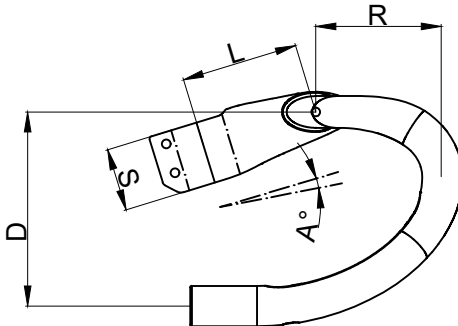
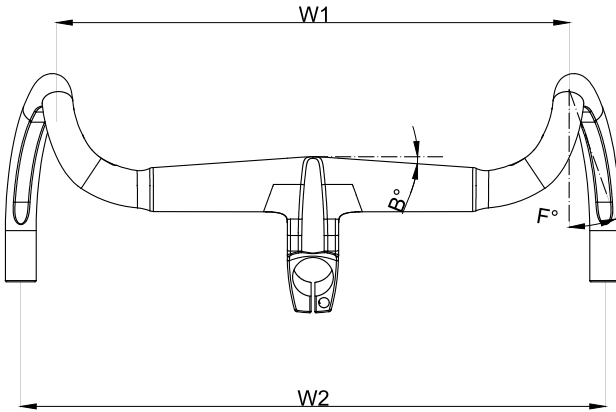
2.1 Grvfest-20 Integrated Gravel Bar

Highlights

- High quality T700 & T800 carbon fiber.
- Monocoque 1-piece construction for enhanced strength.
- Latex mandrel ensures a smooth interior surface for cable routing.
- A generous 20-degree flare for stable control on all terrain.
- Ergonomic bar shape boosts cycling comfort.
- Integrated stem and internal cable routing compatibility for a clean and neat look.
- Proprietary lightweight carbon fiber bicycle computer mount.

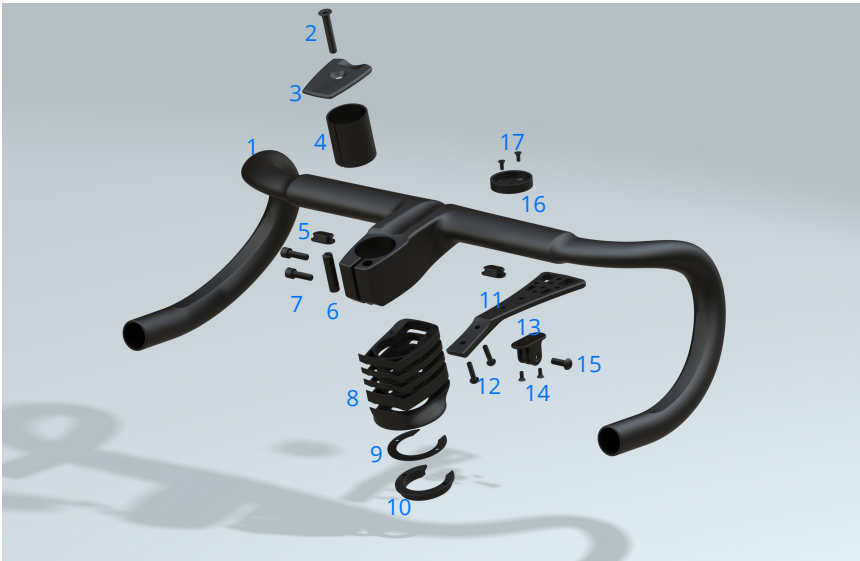
Geometry

Bar Size	W1 (C-C)	W2 (C-C)	R-Reach	D-Drop	F-Flare	S-Stack	L-Length	A-Angle	Clamp
400*70	407	456	75	116	20°	37.5	70	6°	31.8mm
400*80	407	456	75	116	20°	37.5	80	6°	31.8mm
420*80	427	476	75	116	20°	37.5	80	6°	31.8mm
420*90	427	476	75	116	20°	37.5	90	6°	31.8mm
440*90	447	496	75	116	20°	37.5	90	6°	31.8mm
440*100	447	496	75	116	20°	37.5	100	6°	31.8mm
460*100	467	516	75	116	20°	37.5	100	6°	31.8mm



Parts

No	Parts	Spec	QTY
1	Handlebar		1
2	Cap Bolt	M6*35mm Titanium	1
3	Stem Cap	Exclusive for Grvfest-20 bar	1
4	Stem Shim Adapter	31.8mm to 28.6mm	1
5	Hole Plug	To cover the holes under the tops	2
6	Steerer Nut		1
7	Steerer Torx Bolt + Washer	M5*20mm Titanium (Star Rocket Screws)	2
8	Spacers	For internal cable routing 3D-printed customized spacer kits are made upon your request.	4
9	Spacer		1
10	Headset cover		1
11	Bike Computer Mount		1
12	Tightening Bolt	M4	22
13	Bike Light & Action Camera Plate		1
14	Tightening Screw + Washer	M3*9mm	2
15	Screw		1
16	Bike Computer Plate	For Garmin, Wahoo, Brtyton standards	3
17	Tightening Screws	M3*5mm	6



3. INSTALLATION

3.1 Tools Needed for Installation

- 2mm hex key
- 2.5mm hex key
- 4mm hex key
- T25 Torx star Allen wrench
- Hacksaw for cutting the fork
- 100-grit sandpaper

3.2 One-Piece Bar Stem Installation Instructions

Step 1: Set the desired handlebar height

Install the fork onto the head tube with the bearings, compression ring, and headset covers necessary. Place the handlebar onto the steerer tube with spacers required to achieve the desired bar height. Mark on the steerer along with the top surface of the stem.

Step 2: Prepare the fork

Remove the fork and handlebar from the frameset. Cut the fork steerer tube 2-4mm below the mark. Smooth the edge of the steerer tube with fine sandpaper. Insert the compression plug into the steerer and tighten the bolt to 8Nm.

Step 3: Install the bar stem and route cables

Re-install the fork and bar stem onto the head tube. The stem is compatible with the 1-1/8" tube with our stem shim adapter (31.8mm to 28.6mm). Route the cables (refer to 4. Mechanical & Electric Routing). The spacers we offer are split, allowing for easy height adjustment. If the bottom spacer is rubbing on the headtube, install the ultra-thin spacer we include in the package. Ensure that the handlebar and all spacers fit properly.

Step 4: Tighten the stem

Insert the 2-hole steerer nut and gently tighten the stem screws with washers. Install the top cap and the bolt. Tighten the cap bolt to 5Nm and ensure no clearance between the handlebar, spacer, and head tube. Align the stem with the front wheel and then tighten the two steerer screws alternately and gradually to 5-6Nm.

Step 5: Install the brake/shift levers

Install the brake/shift levers on each side of the bend, using the roughly painted area as a guide for your desired location. Line-marking decals are provided to help align both levers. Tighten the levers to a maximum torque of 5Nm. Insert the cables into the ports on the levers.

Step 6: Wrap bar tape

Wrap the handlebar tape from the ends of the drops up to the steps on the tops, ensuring a smooth transition from the taped area to the untaped portion for a comfortable grip.

3.3 Bike Computer Mount Installation

Each Grvfest-20 handlebar comes with a carbon fiber bike computer mount. Three mounting accessories are provided to suit Wahoo, Garmin, and Bryton bike computers. Additionally, an action camera or bike light mounting accessory is included. The adjustable GPS mounting kit accommodates riders using large-screen bike computers.

Step 1: Install the accessories

Select the appropriate bike computer part and screw it onto the bike computer mount. Install the headlight or action camera accessory on the bottom of the mount if needed. Be careful not to lose the small screws.

Step 2: Install the bike computer mount

Attach the carbon fiber mount to the bottom of the handlebar. Tighten the bolts alternately and gradually to ensure there is no play.

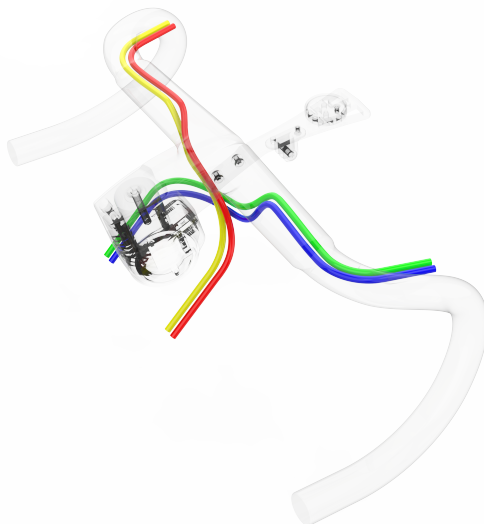
Step 3: Mount your equipment

Securely mount your bike computer and headlight or action camera onto the bike computer mount, and enjoy your ride!

4. MECHANICAL & ELECTRIC ROUTING

4.1 External Cable Routing

- Rear derailleur
- Front derailleur
- Rear brake
- Front brake



4.2 Internal Cable Routing

- Rear derailleur
- Front derailleur
- Rear brake
- Front brake



4.3 Shimano Di2 (EW-RS910)

This gravel bar stem is compatible with the built-in bar end type of the Shimano Di2 system.

EW-RS910 bar-end junction A

- Rear derailleur
- Front derailleur
- Rear brake
- Front brake



5. WARRANTY

5.1 Warranty & Crash Replacement Policy

Light Bicycle warranties the handlebars from manufacturer's defects in materials and workmanship for a period of 3 years from the date of purchase. Within the warranty period, we offer a 15% crash replacement discount if your handlebar is damaged in a crash.

Our warranty does not cover a modified, misplaced, misused, melted, improperly installed, or blatantly abused product.

5.2 Submit a warranty claim

When submitting a warranty, contact us by email (sales@lightbicycle.com) and we will address your issues within 24 hours.

3 steps to easily file a claim and get you back riding asap:

Step 1: Locate the product serial number on the left side of the drop bar ends and take a photo of the label.

Step 2: Take a close shot of the affected product area or a video of abnormal noise or cracks.

Step 3: Email us with the serial number of your item, a description of the damage, proof of purchase, and the photos/videos.



[Scan the code to visit our website.](#)

CONTACT US

Global Warehouse

Email: sales@lightbicycle.com

Phone: +86-18030305013
+86-0592-6254228

Skype: light_bicycle

North American Warehouse

Email: support@lightbicycle.com

Phone: +1 (253) 216-2535